


# PRODUCT SHEET

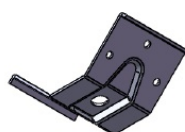
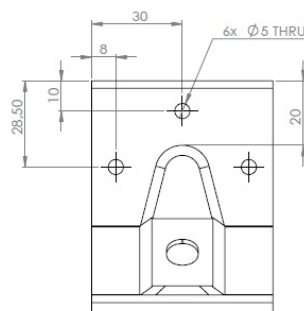
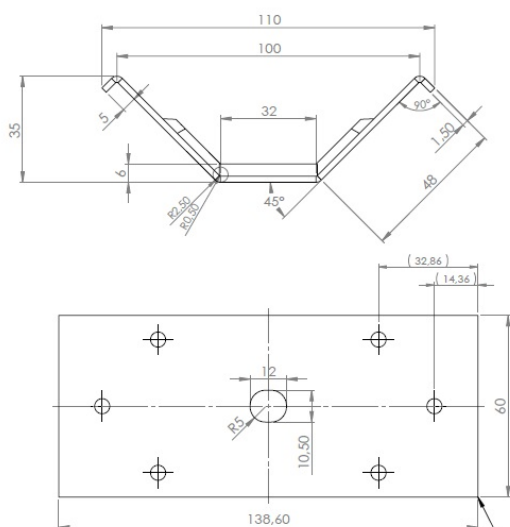
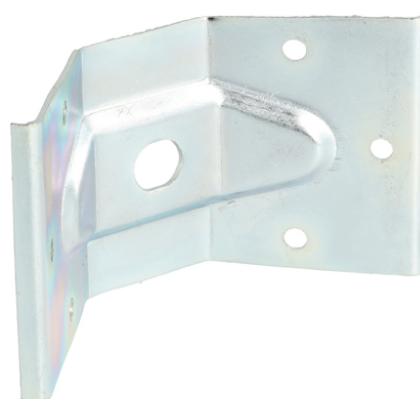
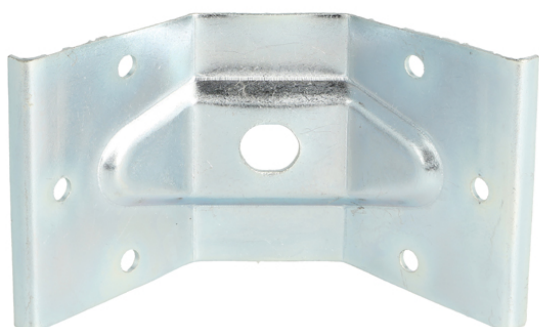
## Description:

Leg Corner Bracket No. 21, 1.5mm, Steel BZP, 60mm Height

## Item number:

11.07.030-0

Units	Box	Carton	HS Code	Barcode
Pcs.	1	200	8302420090	
				5704866015646



Notice: View is the approx. flattend profile.

## SISO A/S

Mileparken 11  
DK-2740 Skovlunde  
Denmark  
VAT: DK 24786013

Phone +45 45 830 900

www.siso.dk  
siso@siso.dk

Danske Bank  
Nytorv Branch  
Copenhagen  
SWIFT: DABADKKK

Account no.  
4180 3112 112936  
IBAN Account  
DK7230003112112936